

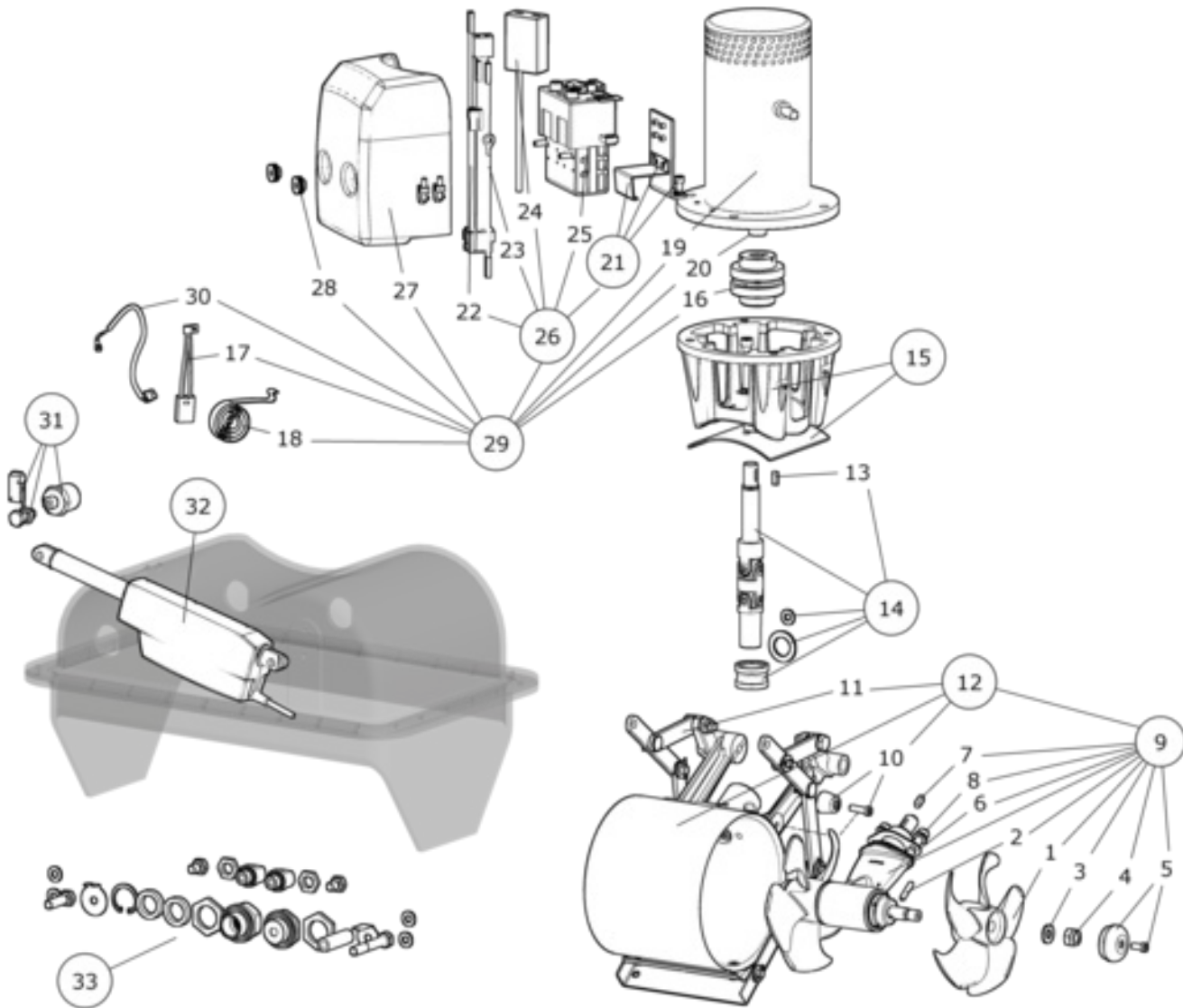
SR80/185T-24V - SR80 Retract thruster



SIDE-POWER

24 V

Spare parts (valid from 2017-06-30)



#	Description	Product
1	Propeller	7 1261-BRUK SM151911 - Prop ø185/5bl Q-Prop Composite
2	Propeller drivepin	6 1241 - Drivpinne i propell 5mm 4/7 hp
3	Propeller washer	7 1181 - Skive SE60-80-100 feste prop.
4	Locknut	4 1260 - Låsemutter
5	Anode	7 1190 A - Alu anode SE60/80/100
6	Gasket	7 1314 - Pakning 1,5mm SE80/100 oljef
7	Driveshaft key	6 1440 - Kile for flex.kobl 7HK/SE80/10
8	Gearleg bolt	7 1080 - Skrue M8 x 55 Unbraco
9	Complete gearleg	8 0601 - Komplet gearhus oljef SE80/100
10	Anode retract mechanism	6 1180 - Sinkanode 4 hk til år99
11	Support stay kit	6 2200 - Support stay set Retract
12	Complete SR retract mechanism	6 2199 - Retract Ø185 Support set
13	Key for shaft	10 1440 - Kile drivaksel SE100/+ +
14	Complete shaft kit	SM-125229 - Ledd komplett m/kile,tetn,sege
15	Motor bracket complete	125230 - Motorbrakett kitt SR80/100
16	Complete flexible coupling	7 1462 - Fleks kobling 16/20mm
17	Brushes for motor (kit)**	**
18	Brush springs for motor (kit)**	**
19	Electric motor	N/A
20	Key for electric motor shaft	10 1440 - Kile drivaksel SE100/+ +
21	Solenoid bracket kit	6 0136 - Solenoid bracket kit SR80
22	Internal wiring loom	6 1227 - Internkobling SR80
23	Internal wiring loom	6 1223 - Internkobling fartsstyring
24	Electronic control unit	6 1242 - Kontrollboks Retract
25	Solenoid	41371243 - Rele m/sett skrue SE80/170-24V
26	Complete solenoid kit	6 0132 24 - Komplet rele kit SR80/24V
27	Solenoid Cover	6 2025 - Reledeksel SE80T
28	Nut for solenoid cover	6 8810 - Mutter for deksel SE80-SP285
29	Complete electric motor assembly	6 0104 24 - Elektromotor mont. SR80/24V
30	Temp switch*	*
31	Sensor kit	6 2104 - End stop sensor kit 24v
32	Actuator kit	6 2301 - Aktuator komplett 24V/m/kont.
33	Complete sealing SR kit	125224 - Bussing kitt SR80/100

The installer alone has responsibility for the installation of the spare parts. Side-Power only warranty the spare parts supplied only.

The information given in the document was correct at the time it was published. However, Sleipner Motor AS can not accept liability for any inaccuracies or omissions it may contain. Continuous product improvement may change the product specifications without notice. Therefore, Sleipner Motor AS can not accept liability for any possible differences between product and document.