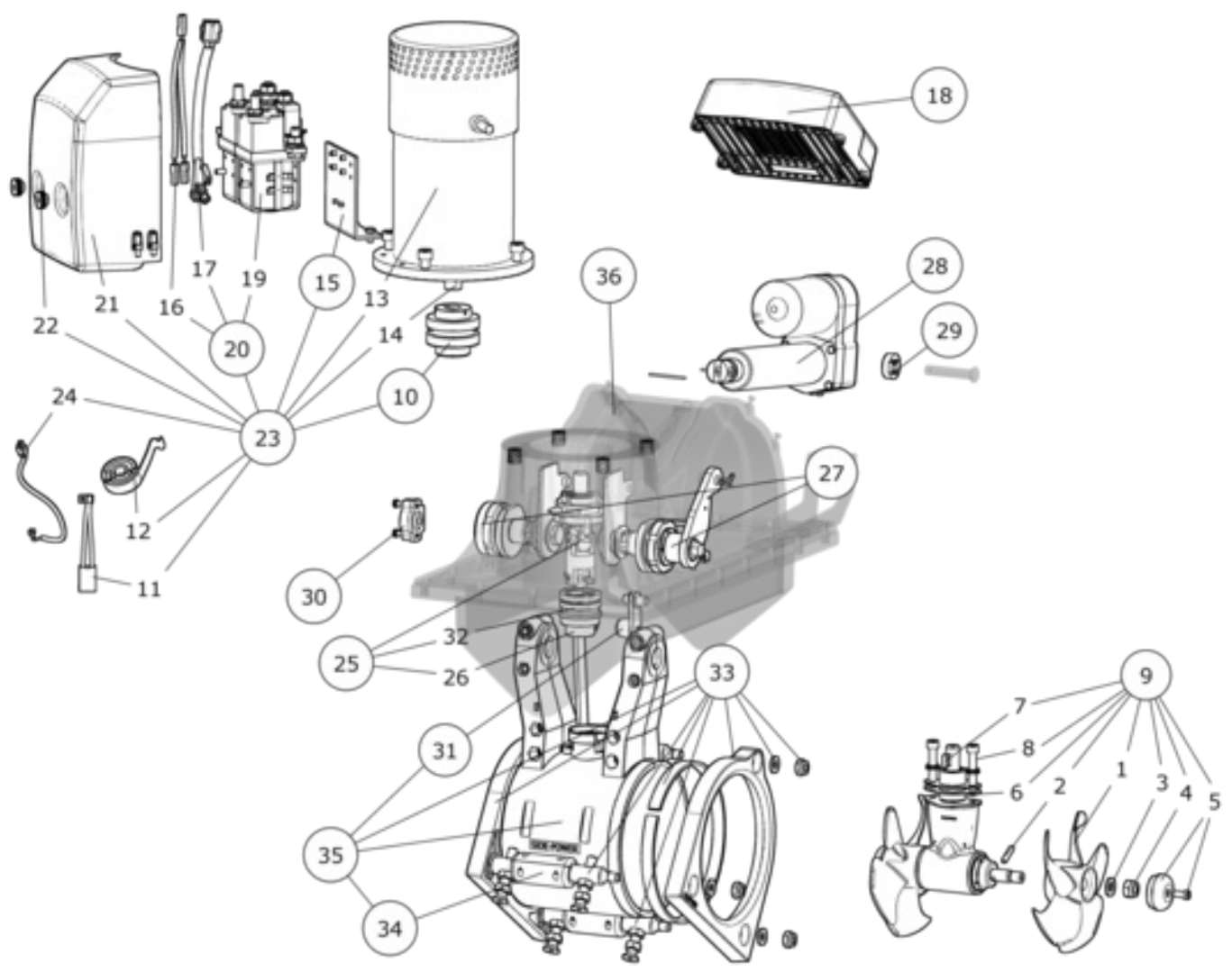


# SRV100/185T-24V - SRV100 Vertical Retract 24V



Spare parts (valid from 2017-11-22)



#	Description	Product
1	Propeller	7 1261-BRUK SM151911 - Prop ø185/5bl Q-Prop Composite
2	Propeller drivepin	6 1241 - Drivpinne i propell 5mm 4/7 hp
3	Propeller washer	7 1181 - Skive SE60-80-100 feste prop.
4	Locknut	4 1260 - Låsemutter
5	Anode	7 1190 A - Alu anode SE60/80/100
6	Gasket	8 0610 - PAKNINGER FOR GEARHUS SP75/95
7	Driveshaft key	6 1440 - Kile for flex.kobl 7HK/SE80/10
8	Gearleg bolt	12830 - Skrue M8 x 30 6kt
9	Complete gearleg	8 0601 - Komplet gearhus oljef SE80/100
10	Complete flexible coupling	7 1462 - Fleks kobling 16/20mm
11	Brushes for motor (kit)**	**
12	Brush springs for motor (kit)**	**
13	Electric motor	N/A
14	Key for electric motor shaft	10 1440 - Kile drivaksel SE100/++
15	Solenoid bracket kit	10 0140 24 - Rele brakett kit SE100/130 24V
16	Internal wiring loom	6 1222 - Wiring loom
17	Internal wiring loom	6 1223 - Internkobling fartsstyring
18	Electronic control unit	150000 - Electronic Control Unit SRV
19	Solenoid	41371243 - Rele m/sett skrue SE80/170-24V
20	Complete solenoid kit	8 0133 24
21	Solenoid Cover	6 2025 - Reledeksel SE80T
22	Nut for solenoid cover	6 8810 - Mutter for deksel SE80-SP285
23	Complete electric motor assembly	8 0107 24 - Elektromotor mont. SEP100-24v
24	Temp sensor	31020-UTGÅTT - Temp sensor NTC, 5mm
25	Vertical drive shaft kit	6 2076 - SRV vertical shaft 185mm.
26	Lower vertical drive shaft kit	TBA
27	Horizontal shaft kit	6 2075 - SRV horizontal shaft 185mm.
28	Actuator	139999-P8 - Aktuator P8, 24v SRV
29	Shear washer	140117 - Grommet / Shear
30	Sensor	140144 - Position Sensor 5KOhm 3pin
31	Anode retract	6 1180 - Sinkanode 4 hk til år99
32	Shaft sealing	140029 - Mekanisk tetning Ø 35 mm Type 14DIN
33	Retract ring support kit 185mm	6 2142 - Retract ring support kit 185mm
34	Retract tunnel anode w/bolts	140629 - Anode rod SRV
35	Complete Retract tunnel kit 185mm	tba
36	Complete Retract mechanism assembly	tba
37	Extension harness for 150000 control unit	6 2202-DC-3M - Extension harness for150000

The installer alone has responsibility for the installation of the spare parts. Side-Power only warranty the spare parts supplied only.

The information given in the document was correct at the time it was published. However, Sleipner Motor AS can not accept liability for any inaccuracies or omissions it may contain. Continuous product improvement may change the product specifications without notice. Therefore, Sleipner Motor AS can not accept liability for any possible differences between product and document.